

Outside Plant



RADIUS
CTS

Surface Box
Carriageway

Description

These ductile iron Surface Boxes are designed for use in the carriageway and provide a secure environment for fast and easy access to below grounds networks.

Highly durable, the units are BS5834 GRADE A and are non rock and silent in operation. Large multi-directional wedge seatings enhance stability and durability.

The TELCO Surface Boxes are designed for use in Fibre Networks and feature through slots and apertures variants.

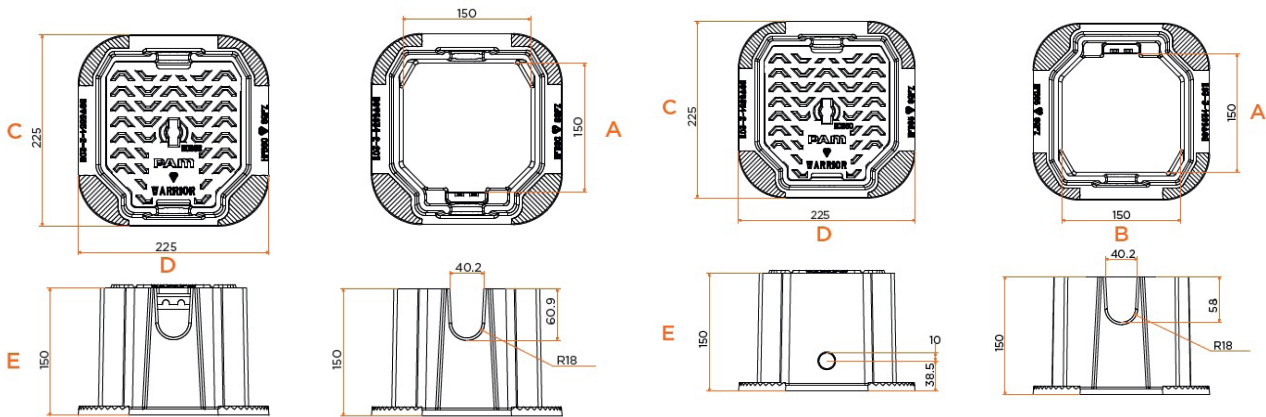
Suitable for carriageways carrying continuous heavy traffic where access to below ground fibre networks is required.

Dimensions

	Product Code	Clear opening size AxB (mm)	Overall frame size CxD (mm)	Frame Depth (mm)	Weight (kg)
Standard surface box	UY1435	150 × 150	225 × 225	100	8.5
TELCO surface box with through slot	UY1436	150 × 150	225 × 225	150	
TELCO surface box with through slot and hole	UY1437	150 × 150	225 × 225	150	10.8



- BS 5834-2 Grade A
- Manufactured from strong and highly durable ductile iron
- Fast & easy installation
- Three point suspension on covers for non-rock stability
- Lid badging available



With through slot

With through slot and hole

Technical

- Grade A Ductile Iron
- Third party certified by BSI and kite marked to the requirements of BS 5834 and also meets with the performance requirements of BS750
- Radial raised chequer design with independently verified skid & slip resistance values
- Operating Temperature: -45° to 90° C