

# Main Duct Systems

## Split Swept Tee



### Description

Radius Split Swept Tee is a branching device designed for use with PVC, PP and/or Twinwall duct systems.

It enables branching off a main duct to a connection duct for customer termination.

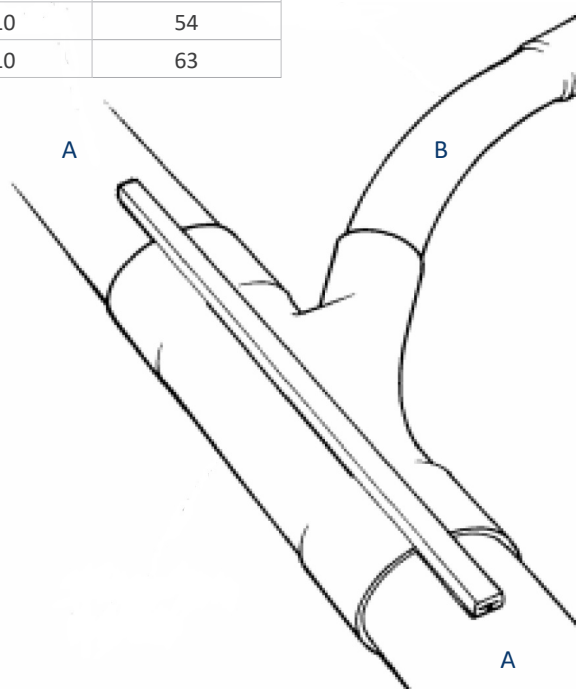
- Durable
- High quality construction
- Retrofittable



### Material & Technical features

- Polypropylene
- Available in green and grey colour as standard - other colours available

Standard sizes		
PVC/TW	Ø A (mm)	Ø B (mm)
PVC	96.5	54
PVC	110	54
TW	110	63



Schematic drawing, not to scale

### Packing

Split Swept Tee will be shipped in non-returnable biodegradable plastic sacks. Products should be stored on dry, even, stable area.