

Enhancing our
Trusted Telecoms
Infrastructure
Solutions

NEW



Up to
40t
Top Load



Setting Industry Standards for Telcos and Altnets

RadBox2® is a high performance next generation underground access chamber developed for Altnets and the wider Telecoms market.

RadBox2® offers an optimised cost effective solution, combining high structural strength and rapid installation with no compromise on quality - all with minimum fuss.

High Performance

- HDPE structural foam moulding for long-term structural integrity
- 150mm stackable rings with immediate load-bearing strength

Minimum Fuss

- User friendly, easy to handle
- Easy cut duct entries, ideal for overbuild
- No need for concrete backfill

RadBox2[®]

Next Gen

High Performance
Optimal Strength to
Weight

Rapid Install
Drop in Furniture
Saves Time
& Money

Safe & Sustainable

- Easily recyclable HDPE
- Inert HDPE material
- Reduced carbon footprint

Up to
40t
Top Load



RadBox2[®]
Next Gen

A New System You Can Trust

Strong Credentials with Proven Lineage

RadBox2[®] comes from a long line of established and proven products including the original multi-utility RadBox[®] range, known for its modularity and the Openreach approved QuadBox[®]. With RadBox2[®] we bring a next generation telecoms chamber specially adapted to fulfill the needs of today's Altnets market.

RadBox[®] **No Known Field Failure** since 1998
QuadBox[®] **No Known Field Failure** since 2004

Dimensions & Specifications

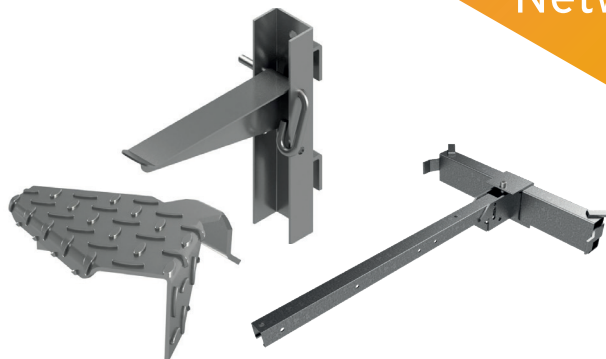
Type	Code	Length (mm)	Width (mm)	Height (mm)	Weight per ring (kg)	Top Load (t)	Pallet Qty
FW4	UY1805	915	445	150	9.2	40	32
FW6	UY1806	1310	610	150	12.2	40	17

A Next Gen Chamber
Specially Designed
For Telecoms

Optimised For
Long Term
Network Integrity

Drop in Accessories

RadBox2[®] has purpose-designed features to accommodate steps, cable bearer systems and mobras. These drop into place, without tools and can be relocated at any time.



Frames & Covers

We offer a complimentary range of frames and covers to suit the installation location in various loading classes from B125 to D400. Choice of concrete infill, recessed steel, ductile iron and composite. Our concrete infill covers are BSI Kitemarked and Openreach approved.

