



Outside Plant

Matrix² T-Branch Tube Closure

Description

Matrix² T-Branch closure is a high quality protective closure offering fast and easy branching off the backbone to provide fibre cable paths to new or potential clients.

The T-Branch closure provides high network flexibility, upgradeability and uninterrupted fibre cable connectivity with no need for splicing.

Closures can be installed at the time of cable installation or fitted over pre-existing cables as retro fit, giving additional flexibility for your network.

Assembly

Very simple with no tools required. The assembly is supplied complete with components.

The Matrix² T-Branch closure consists of two halves which should be fitted around the connection area. The closure is then sealed by sliding on the side clasps and manually tightening the retrofittable end-caps.

Cable ties are provided for each port as a temporary aid to maintain the bottom half in place during installation.

Technical

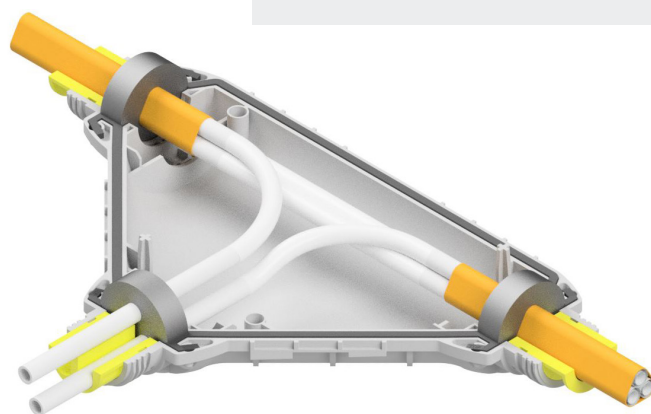
Dimensions	500x315x100mm
Weight	1.2kg for standard unit
Port sizes	3 x 50mm ports which can be adapted to size with inserts to suit requirements e.g. 40mm, 32mm, 25mm and special sizes on application
Seals	Wide range available, specials on application
Parts	2 x body halves
	3 x ends caps
	3 x sets of inserts where applicable- sizes to be agreed at time of order
	6 x integral seals
	3 x port seals
	3 x cable tie restraints
	OPTIONAL: spring clip with hose clip restraints (in place of cable ties), which also provide anchoring



✓ IP68 rated

BENEFITS

- IP Rating IP68
- Fast & easy assembly
- Tool free
- For direct burial or use in manholes
- Up to 50mm port, suitable for a wide range of tubing
- Allows multiple branch-offs to smaller blown fibre cables or ducts
- Lightweight & robust
- Retrofittable, can be installed any time, any place
- Locating pins for easy alignment
- Slide-on clasps
- Self-locating grip rings





Outside Plant Matrix² T-Branch Tube Closure



Sealing Sets

Sealing sets contain: 1 x Port Seal, 2 x Port Inserts and 2 x Grip Rings (if applicable).

Duct Construction	Radius Codes for sealing sets
Blank	YA1856
32mm Duct	UV0804
40mm Duct	UV0806
50mm Duct	UV0808
12x5/3.5mm Assembly with Aluminium	UV0852
24x5/3.5mm DB Assembly with Aluminium	UV0872
24x5/3.5mm DB Assembly with Water Tape	UV0877
3x14/10mm Assembly	UV0827
3x16/12mm Assembly	UV0828
2x14/10mm Assembly	UV0817
7x14/10mm Assembly	UV0847
3 x 14mm primary tubes	UV0891
3 x 16mm primary tubes	UV0896
12 x 1 way 5/3.5mm	UV0900
7 x 12mm primary tubes	UV0889

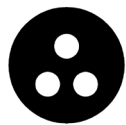
Other types available on request, subject to MOQ.



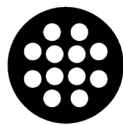
Round Assembly



Polygonal Assembly

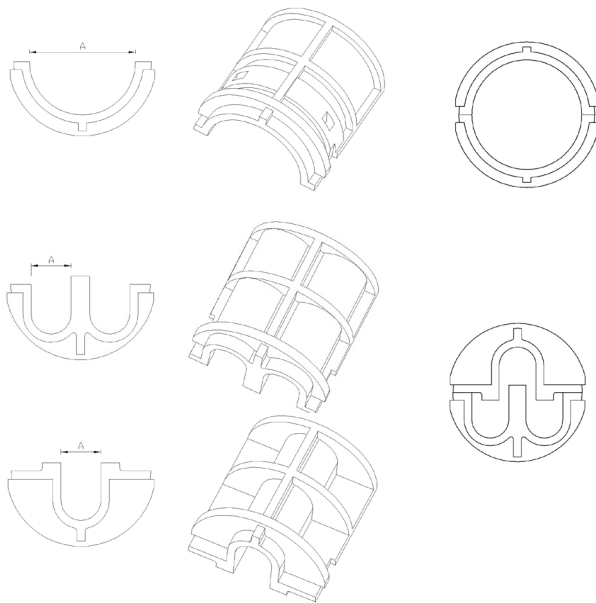


Primary Tubes



Primary Tubes

Schematic drawing, not to scale



Schematic drawing, not to scale